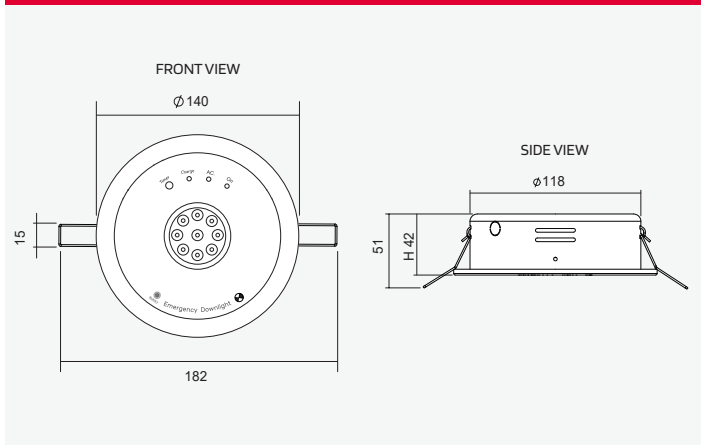




Specifications

Mode of Operation	Semi-Maintained
Input Voltage	220 VAC / 50Hz ± 10%
LED Lamp Power	9W
Color Temperature	Warm White (3000K ± 250K) Daylight (6000K ± 250K)
Rated Beam Angle	50Deg
Battery Type / Capacity	Lithium Iron Phosphate (LiFePO4) 6.4V-1200mAh
Protections	- AC, DC Fuse - Surge Protection
Charging Mode	3 Steps Charger System
Charging Time	10-15 Hrs
Backup Time	2.0 Hrs
Housing	Electro-galvanized steel sheet 1mm. thick with epoxy powder coating
Dimensions (Ø x H)	140 x 42 mm
Weight	0.48 Kg
IP Rating	20
Mounting	Recessed Ceiling

Dimensions (mm)



Product Overview

The newly designed EDLT09-2R self-contained emergency downlight resembles a regular downlight and is perfect for exposed installations on recessed ceilings. It has a beautiful and modern design as well extra functions not available in other emergency downlights for maximum user value.

During power outages the unit will automatically provide illumination using battery power. During normal power conditions the user can also turn on the light using the switch installed at a desired location.

The Timer function can also be set for the unit to turn off automatically after 1, 2, 3, 6 or 12 hours, this timer can be cancelled at any time if the user desires.

The casing is produced from 1mm thick Electro-Galvanized steel coated with Epoxy powder and special chemicals to prevent any possible rust.

The EDLT09-2R self-contained emergency downlight has undergone continued innovation to give maximum value and functions to the users, as can be seen in the feature list

Features

Bulb

- Highly efficient and super bright 9 Watts LEDs provides maximum brightness while saving on power consumption. It also offers long operational life of more than 50,000 hours

Battery

- Lithium Iron Phosphate (LiFePO4) 6.4V-1200mAh

Functions

- A timer can be set remotely for the unit to turn off
- A timer can be set for the unit to turn off after 1, 2, 3, 6 or 12 hours, this timer can be cancelled at any time if the user desires

Circuit Systems

- Controlled by an 8-bit microcontroller circuit
- An Auto activation circuit when under voltage occurs
- A Timer Delay circuit to keep the unit operating for a few more seconds once normal power has returned

Protection Features

- AC and DC fuse to prevent current overload
- Surge Protection
- IP20 dust and water resistant

Features to Extend Battery Life

- An innovative 3 Steps Charger
- A Low Voltage Cut-Off to prevent the battery from draining completely

Warning Systems

- An LED will blink once every 2 seconds to warn that the Low Voltage Cut-Off is about to activate
- An LED will blink 4 times every 2 seconds to indicate that there is a problem charging the battery

Indicators

