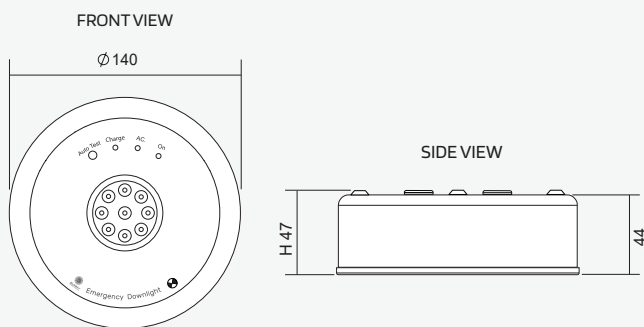




Specifications

Mode of Operation	Non-Maintained
Input Voltage	220 VAC / 50Hz ± 10%
LED Lamp Power	9W
Color Temperature	Warm White (3000K ± 250K) Daylight (6000K ± 250K)
Rated Beam Angle	50Deg
Battery Type / Capacity	Lithium Iron Phosphate (LiFePO4) 6.4V-1200mAh
Protections	- AC, DC Fuse - Surge Protection
Testing Systems	- Automatic Testing - Remote Testing
Charging Mode	3 Steps Charger System
Charging Time	10-15 Hrs
Backup Time	2.0 Hrs
Housing	Electro-galvanized steel sheet 1mm. thick with epoxy powder coating
Dimensions (Ø x H)	140 x 47 mm
Weight	0.66 Kg
IP Rating	20
Mounting	Surface Ceiling

Dimensions (mm)



Product Overview

The newly designed EDLS09-2C self-contained emergency downlight resembles a regular downlight and is perfect for exposed installations on ceilings of offices, buildings and residents. The beautiful and modern design will enhance the look of any buildings.

Using high-quality 9 Watts LEDs providing operational life of more than 50,000 hours. Equipped with an innovative 3 Steps Charger (patent number 15955) to prolong battery life and prevent battery damage.

The casing is produced from 1mm thick Electro-Galvanized steel coated with Epoxy powder and special chemicals to prevent any possible rust.

The EDLS09-2C self-contained emergency downlight has undergone continued innovation to give maximum value and functions to the users, as can be seen in the feature list.

Features

Bulb

- Highly efficient and super bright 9 Watts LEDs provides maximum brightness while saving on power consumption. It also offers long operational life of more than 50,000 hours

Battery

- Lithium Iron Phosphate (LiFePO4) 6.4V-1200mAh

Functions

- Long range remote testing
- 5-second, 30-minute and 60-minute tests can be activated remotely
- An automatic 30-minute test can be set to perform every 30 days

Circuit Systems

- Controlled by an 8-bit microcontroller circuit
- An Auto activation circuit when under voltage occurs
- A Timer Delay circuit to keep the unit operating for a few more seconds once normal power has returned

Protection Features

- AC and DC fuse to prevent current overload
- Surge Protection
- IP20 dust and water resistant

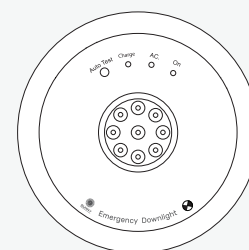
Features to Extend Battery Life

- An innovative 3 Steps Charger
- A Low Voltage Cut-Off to prevent the battery from draining completely

Warning Systems

- An LED will blink once every 2 seconds to warn that the Low Voltage Cut-Off is about to activate
- An LED will blink 3 times every 2 seconds to warn that there is less than 30 minutes of charge left in the battery
- An LED will blink 4 times every 2 seconds to indicate that there is a problem charging the battery

Indicators



- Auto Test** ▶ Indicate that the unit is set to perform automatic self-tests
- LED Charge** ▶ Indicate the battery charging status
- LED AC** ▶ Indicate that the unit is receiving a power supply
- LED On** ▶ Indicate that the unit is receiving a power