



Product Overview

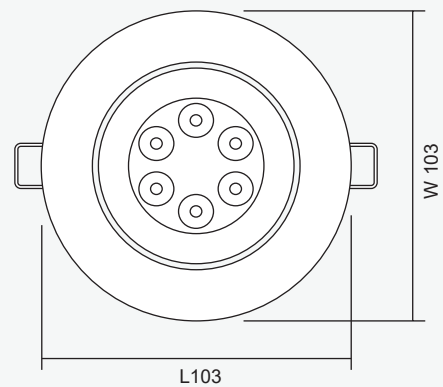
Downlight Lamp recessed ceiling type DLC Series. The lamp can adjust the direction of the beam for 45 degrees. The lamp works with the installation of LED bulb LED MR16 GU5.3 by operating with emergency lighting control system. Central battery Systems of 220VAC in case of power failure, will provide emergency lighting for escape.

Technical Specifications

Model	DL-C 220-112
Input Voltage	220VAC
LED Lamp Power	12W
Lumen (lm) / Bulb	1,080
Lamp Type	LED MR16
Base	GU5.3
CCT	Warm White (3000K ± 250K) Daylight (6000K ± 250K)
CRI	>80
Lamp Life Time	50,000 Hrs
Beam Angle	50 Degree
IP Rating	20
Dimension LxWxH (mm)	103 x 103 x 60
Material	Diecasting aluminium
Weight (g)	210
Hole cut (mm)	90
Lamp Warranty	10 Year
Mounted	Recessed Ceiling

Dimensions (mm)

FRONT VIEW



SIDE VIEW

